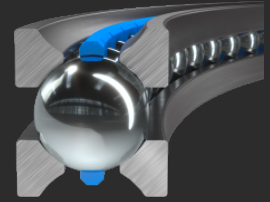


Bearing elements with profiled raceways Type LER



Franke bearing elements of the type LER are characterized by their compact cross-section and their favourable price.

Description

Franke bearing elements type LER are suitable for medium rotational speeds and accuracies. They convince by smooth running, high dynamics and compact installation space. Due to the straight contact surfaces, they can be easily integrated into the surrounding design and have a high rigidity. The low price makes the bearing element of type LER an economical solution. LER are generally mounted without clearance. The preload can be individually adjusted according to the requirements.

Properties

| | |
|----------------|-------|
| Smooth running | ●●● |
| Accuracy | ●●● |
| Speed | ●●●●● |
| Stiffness | ●●●● |
| Assembly | ●●●● |
| Price | ●●●● |

Technical data

Material

Ball Race Rings: 54SiCr6,
Rolling Element: 100Cr6,
Cage: PA12 / TPU

Operating temperature

-30 °C to +80 °C, short-term up to +100 °C

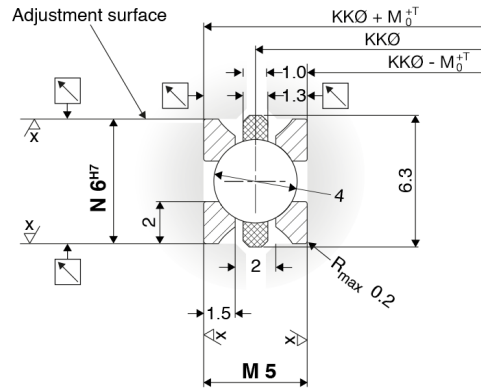
Peripheral speed

Max. 5 m/s, without seal max. 10 m/s

Lubricant

Shell Gadus S3 V220 C2

Data tables

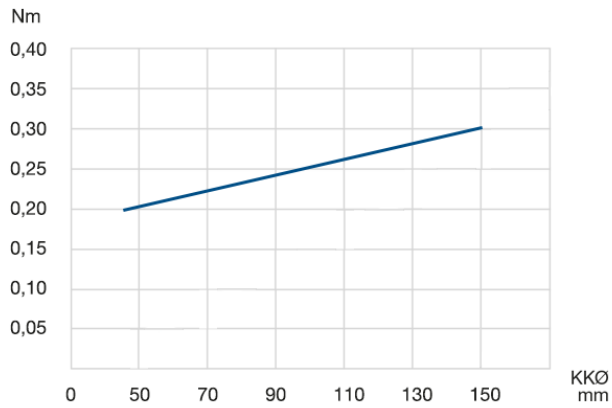


$$T = KK\varnothing / 10000 \text{ [mm]}$$

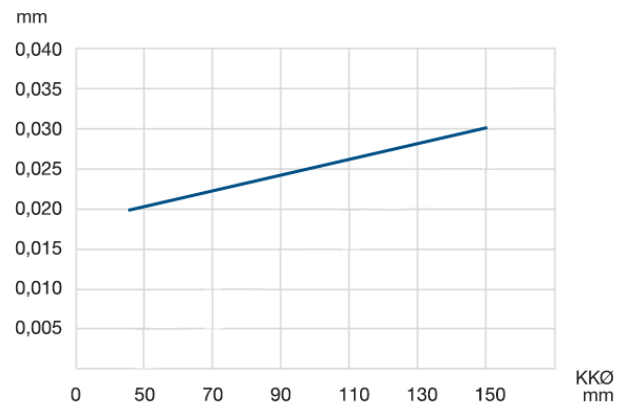
LER 1.5 - M x N 5 x 6 mm

| Name | KK Ø mm | Load ratings kN | | | | Stat. M. kNm | Weight kg | Order no. |
|-------------|------------|--------------------|-----------------|----------------|----------------|-----------------|--------------|-----------|
| | | C _{0a} | C _{0r} | C _a | C _r | | | |
| LER1.5-0040 | 40 | 8 | 4 | 5 | 4 | 0,1 | 0,01 | 610704 |
| LER1.5-0050 | 50 | 11 | 5 | 5 | 4 | 0,1 | 0,02 | 610705 |
| LER1.5-0060 | 60 | 13 | 6 | 6 | 5 | 0,2 | 0,02 | 610706 |
| LER1.5-0070 | 70 | 15 | 7 | 6 | 5 | 0,2 | 0,03 | 610707 |
| LER1.5-0080 | 80 | 17 | 8 | 6 | 5 | 0,3 | 0,03 | 610708 |
| LER1.5-0090 | 90 | 20 | 9 | 6 | 6 | 0,4 | 0,03 | 610709 |
| LER1.5-0100 | 100 | 22 | 10 | 7 | 6 | 0,5 | 0,04 | 610710 |
| LER1.5-0110 | 110 | 24 | 11 | 7 | 6 | 0,6 | 0,04 | 610711 |
| LER1.5-0120 | 120 | 26 | 12 | 7 | 6 | 0,7 | 0,05 | 610712 |
| LER1.5-0130 | 130 | 29 | 13 | 7 | 6 | 0,9 | 0,05 | 610713 |
| LER1.5-0140 | 140 | 31 | 14 | 8 | 7 | 1,0 | 0,05 | 610714 |
| LER1.5-0150 | 150 | 33 | 15 | 8 | 7 | 1,2 | 0,06 | 610715 |

Rotational resistance



Radial and axial runout accuracy



Contact

Franke GmbH
Obere Bahnstraße 64
73431 Aalen

Phone +49 7361 920-0
Fax +49 7361 920-120
info@franke-gmbh.de

DIN EN ISO 9001 QM
DIN EN ISO 14001 QM